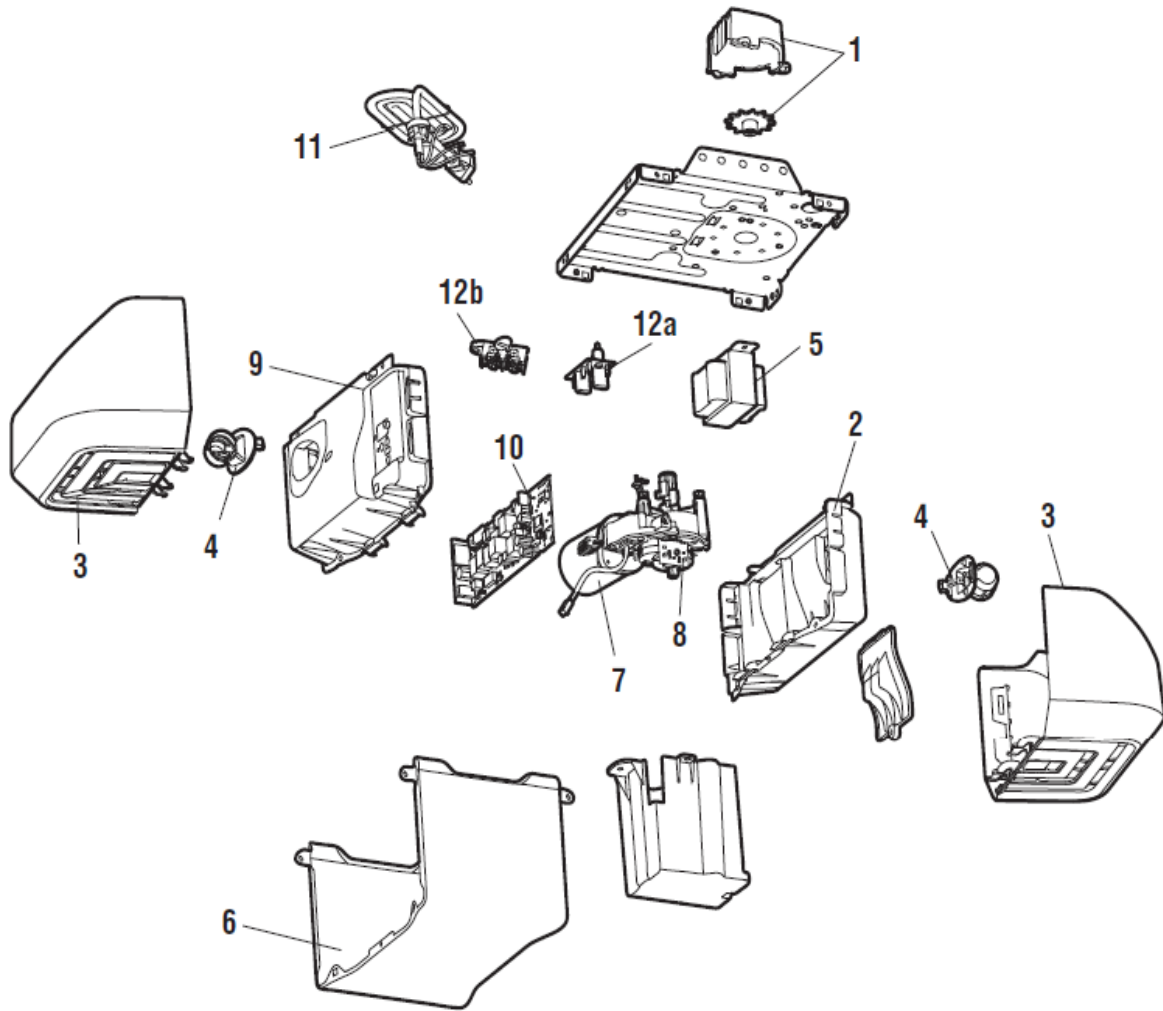


Repair Parts

Garage Door Opener Parts



DESCRIPTION	PART NUMBER
1 Sprocket and Sprocket Cover	41B5348-2
2 End Panel with labels, battery cover and light socket	41D217
3 Light Lens	41A7562
4 Light Socket	41C279
5 Transformer	41A7635
6 Cover	41A7619-1
7 Motor and Travel Module	41D1739-1
8 Travel Module	41A7114-7
9 End Panel with all labels and light socket	41D216
10 Receiver Logic Board	45DCT
11 Line Cord (Models manufactured before April 12, 2013)	041B135-1
Line Cord (Models manufactured after April 12, 2013)	41B4245
12a Filter Board with Screws (Models manufactured before April 12, 2013)	41B7611
12b Terminal Block (Models manufactured after April 12, 2013)	41A3150
Not Shown	
Wire Harness with Screws (Models manufactured before April 12, 2013)	41B7418
Wire Harness with Screws (Models manufactured after April 12, 2013)	41B7610-1

Contact Information

Address repair parts order to:
The Chamberlain Group, Inc.
 6050 S. Country Club Rd.
 Tucson, AZ 85706

For installation and service
 information call:
1-800-528-9131
 Or visit us online at:
www.liftmaster.com

Before calling, please have the model number of the garage door opener. If you are calling about a Troubleshooting issue, it is recommended that you have access to your garage door opener while calling. If you are ordering a repair part please have the following information: part number, part name, and model number.